

Flatguard Magnetic Sweeper

- ◇ Removes large, loose nails, screws and other potentially damaging metal debris from rough terrain.
- ◇ Prevents costly repairs of replacement tires.
- ◇ Ceramic Grade VIII magnetic material
- ◇ Durable carbon steel and stainless steel construction
- ◇ Easy to use with minimal maintenance
- ◇ Release debris into onboard pans



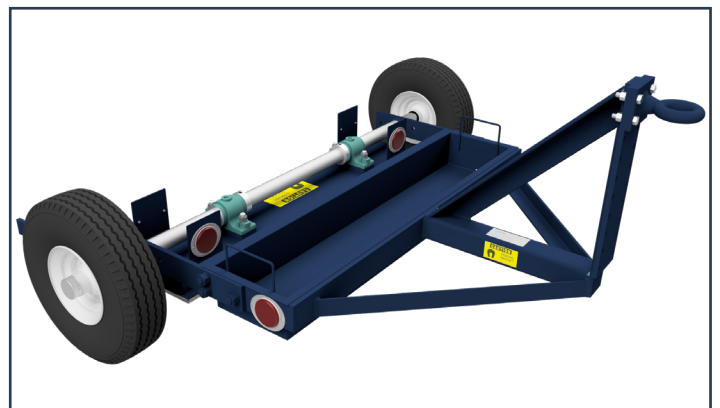
Dings Flatguard Magnetic Sweeper

has a removable onboard pan that can accumulate much more metal debris than the standard model on the market! It is constructed for hard usage encountered in military service over rough, unpaved ground containing rocks, bumps, pot holes, debris and other obstructions under bad weather conditions.

Dings' Flatguard Magnetic Sweeper Features

- ◇ Dings® Flatguard Magnetic Road Sweepers meets or exceeds U.S. Military specifications under ML-M-29174A and OO-S-2797.
- ◇ Eliminates multiple trips to unload metal debris at the dump site. Metal debris is dumped into onboard retainer pans attached to the sweeper
- ◇ The Flatguard model gets mounted onto a trailer and has many options of couplings, safety chains and more.
- ◇ Dings® Flatguard Magnetic Road Sweepers cost \$0 (zero dollars) to operate.

Dings' Magnetic Sweepers protect tires from damage caused by steel objects like nails, screws, wire, rods and other damaging scrap metal. A Magnetic Sweeper operates by simply moving it over areas that need cleaning. It automatically picks up loose pieces of steel. Dings Magnetic Sweepers cost nothing to operate, because they are built with permanent magnets that don't consume energy. The magnetism is guaranteed for life! They are easy-to-use, highly effective and built to operate year after year with an exceptional degree of reliability.



For quote contact the Dings' factory.
Phone: 414-672-7830
Email: magsales@dingsco.com

Dings uses Superior Grade Ceramic VIII in Their Magnetic Sweepers

Ceramic VIII is best grade of ceramics for magnets, ensuring a stronger, longer lasting magnetic field. Ceramic VIII has a better resistance to demagnetization than Ceramic V or other lower grade materials.



**On Magnetism
for all Permanent
Magnets**

More Dings Company Magnetic Separation Equipment

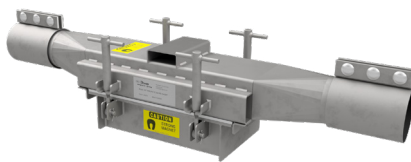
Ferroplate Magnet

Lifetime warranty on magnetism



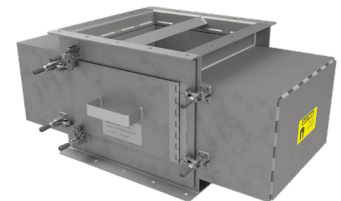
Pneumatic Inline Magnet

Powerful rare earth magnets available



Quick Clean Perma Chute Magnet

Lifetime warranty on magnetism



Rare Earth Ferroplate Magnet

More holding power



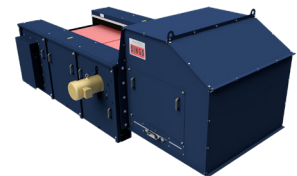
Magnetic Head Pulley

Available in 3 different strength series



Eddy Current Separator

Separate non-ferrous metal



Overhead Self-Cleaning Electromagnet

20 year warranty on coil burnout



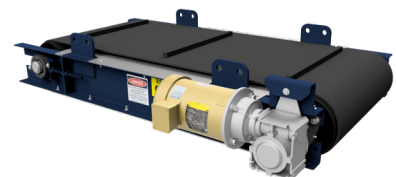
Deep Draw Drum

Lifetime warranty on magnetism



Overhead Self-Cleaning Permanent Magnet

Lifetime warranty on magnetism



ver. 1/25

Engineering Driven - Customer Service Focused



Dings Company Magnetic Group engineering and sales staff work together from our Milwaukee, WI factory to provide outstanding customer service from experts in magnetic separation. First, we listen to our customers to gain an understanding of their needs. Then we apply our experience in their trade to provide magnetic separation equipment that is sized and positioned for the best possible performance in their specific application.