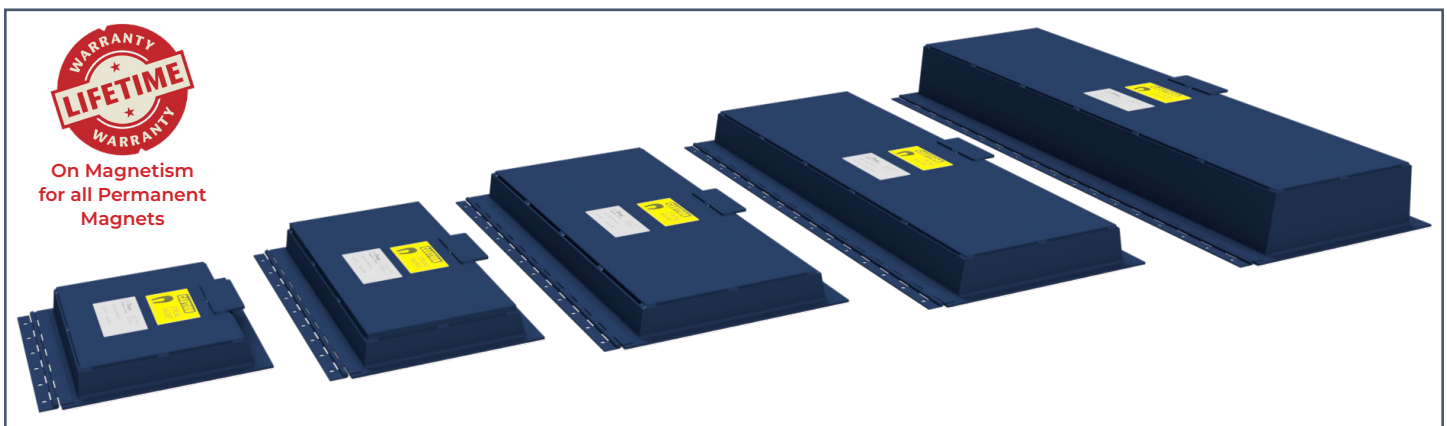


Ferroplate Magnets:

- ◇ Durable carbon steel or stainless steel all-welded construction
- ◇ Designed with Ceramic VIII magnetic material
- ◇ Enhanced separating action
- ◇ Maintenance-free and easy-to-use models
- ◇ Continuous, no or low-cost separation
- ◇ Easy installation where space is limited
- ◇ Purifies and prevents expensive equipment damage



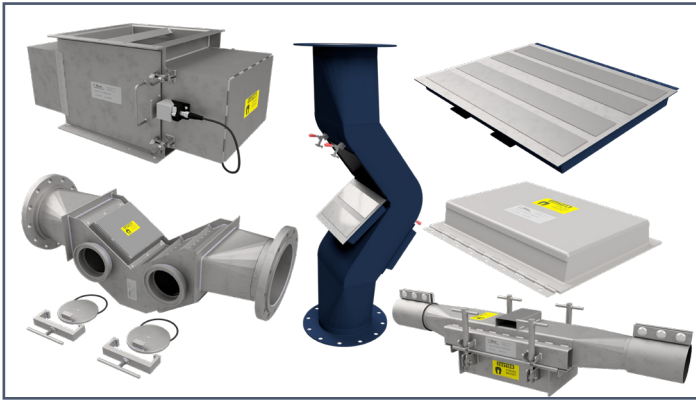
Dings Ferroplates are low-cost, non-electric flat plate magnetic separators. They are designed to remove tramp iron and magnetic contaminants from processed powders and granular materials conveyed in chutes. The most popular installation is a sloping chute. An installed Ferroplate is hinged to the underside of the chute, where it can overlap an opening cut into the chute bottom. Any ferrous in the material that slides over the Ferroplate is attracted towards the magnetic face, then is held firmly on it. Dings Ferroplates provide more magnetic range and holding power than others on the market. Our Ferroplates have the capability of effectively attracting metal through a distance while securely holding that metal in a chute.



* Shown with sanitary finish & stainless-steel back

Dings Ferroplates come in several different models and design shapes that are available to meet your specific application requirements. Any Ferroplate can be custom designed.

Ferroplate Model Selection Table					
Maximum Depth of Material (in inches)	3"	3.5"	4.5"	5.5"	6.5"
Material Type	Ferroplate Model Recommended				
Material is free-flowing, dry, loose, granular	2100	2200	2300	2400	Ultimate
Material is moist, fibrous	2200	2300	2400	Ultimate	—
Material is dense, wet, viscous, liquid	2300	2400	Ultimate	—	—



Dings Ferroplates are available in a variety of designs and models: from our plate magnet models to our application specific designs: Dry Hump, Hydro Hump, Round Pipe Separator, Perma Chute, Pneumatic Inline, Quick Clean and Auto Clean models, and FDA approved gasket seals. Contact a Dings magnetic expert today to get the right Ferroplate for your application.

Cubic Feet Per Hour Capacities					
Mag. Width	2100	2200	2300	2400	Ultimate
4"	1,000	1,170	1,500	1,700	2,100
6"	1,500	1,750	2,250	2,500	3,200
8"	2,000	2,340	3,000	3,300	4,300
10"	2,500	2,900	3,750	4,700	5,400
12"	3,000	3,500	4,500	5,000	6,500
14"	3,500	4,100	5,200	5,800	7,500
16"	4,000	4,700	6,000	6,600	8,600
18"	4,500	5,300	6,700	7,500	9,700
20"	5,000	5,800	7,500	8,300	10,800
22"	5,500	6,400	8,300	9,100	11,900
24"	6,000	7,000	9,000	10,000	13,000
26"	6,500	7,600	9,300	10,800	14,000
28"	7,000	8,200	10,500	11,600	15,000
30"	7,500	8,800	11,300	12,500	16,000
32"	8,000	9,300	12,000	13,300	17,000
34"	8,500	9,900	12,700	14,000	18,000
36"	9,000	10,500	13,500	15,000	19,000
40"	10,000	11,670	15,000	16,000	20,000
44'	11,000	12,800	16,500	17,000	21,000
48"	12,000	14,000	17,000	18,000	22,000

More Dings Company Magnetic Separation Equipment

Heavy-Duty Pit Magnet

Lifetime warranty on magnetism



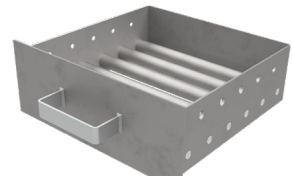
Magnetic Head Pulley

Available in 3 different strength series



Drawer Type Grate Magnet

Lifetime warranty on magnetism



Overhead Self-Cleaning Electromagnet

20 year warranty on coil burnout



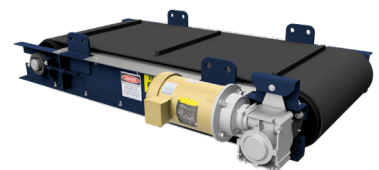
Eddy Current Separator

Separate non-ferrous metal



Overhead Self-Cleaning Permanent Magnet

Lifetime warranty on magnetism



ver. 10/24

Engineering Driven - Customer Service Focused



Dings Company Magnetic Group engineering and sales staff work together from our Milwaukee, WI factory to provide outstanding customer service from experts in magnetic separation. We listen to our customers to gain an understanding of their needs and apply our experience in their trade to provide magnetic separation equipment that is sized and positioned for the best possible performance in their specific application.



Dings magnetic group

Ferroplate Magnet Quote Request

Company: _____ Quote Required Date: _____
 Address: _____ Contact Person: _____
 City, State, ZIP: _____ Contact Email: _____
 Phone/Cell: _____ Email Completed RFQ to: magsales@dingsco.com
 Date Equipment Required by: _____ ***You Must Select One to Print: Imperial Metric**

Material Information

Type of Material Being Conveyed: _____

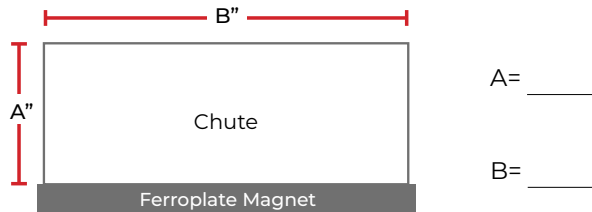
Description of Material Tramp Iron is Being Extracted From: _____

Material type: Liquid Wet Damp Dry Bulk Feed: Yes No
 Free Flowing: Yes No Is Flow Consistant: Yes No Mass Flow Rate: _____
 Bulk Density: _____ Volumetric Flow Rate: _____ Material Moisture Content: _____ %
 Burden Material Abrasive: Yes No Burden Depth: _____

Type of Tramp Iron to be Removed by the Magnet: _____

Tramp Iron Size: _____

Chute Incline Angle: _____ ° degrees



Ferroplate Model Selection

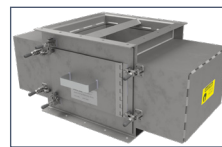


Standard Ferroplate Magnet Example

Unhoused



Ultimate Ferroplate Magnet Example



Quick Clean Perma Chute:



Perma Chute:



Dry Hump:



Hydro Hump:



Auto Clean Hump:



Round Pipe Separator:

Ferroplate Magnet Options:

Sanitary: Yes No Magnet Type: Ceramic Rare Earth
 Tapered Step Face: Yes No Pad Eyes: Yes No
 4 Pole Construction: Yes No Hinge: Yes No

Special Requirements: _____

ver.10/24

Call us for Expert Support of Dings Co. Equipment - Regardless of its Age