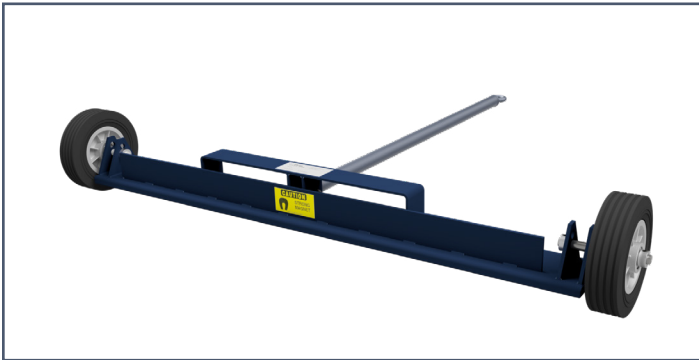


Tireguard Magnetic Sweeper:

- ◇ Ceramic Grade VIII magnetic material
- ◇ Durable carbon steel and stainless steel construction
- ◇ Effective, economical and convenient protection
- ◇ Easy to use with minimal maintenance
- ◇ Reduces tire repairs and replacement costs



Dings Tireguard Magnetic Sweeper

Is a power-packed magnet on wheels. The Tireguard can be towed, lifted, or pushed and is made for large and small traffic areas. Dings Tireguard Magnetic Sweeper is economical, versatile, lightweight and tough!

Dings' Magnetic Sweepers protect tires from damage caused by steel objects like nails, screws, wire, rods and other damaging scrap metal. A Magnetic Sweeper operates by simply moving it over areas that need cleaning. It automatically picks up loose pieces of steel. Dings Magnetic Sweepers cost nothing to operate, because they are built with permanent magnets that don't consume energy. The magnetism is guaranteed for life! They are easy-to-use, highly effective and built to operate year after year with an exceptional degree of reliability.

Tireguard Sizes & Operating Height:

Available in 3 ft, 4 ft, 5 ft, 6 ft, and 7 ft lengths.

Clearance Above the Roadway Can be Adjusted:

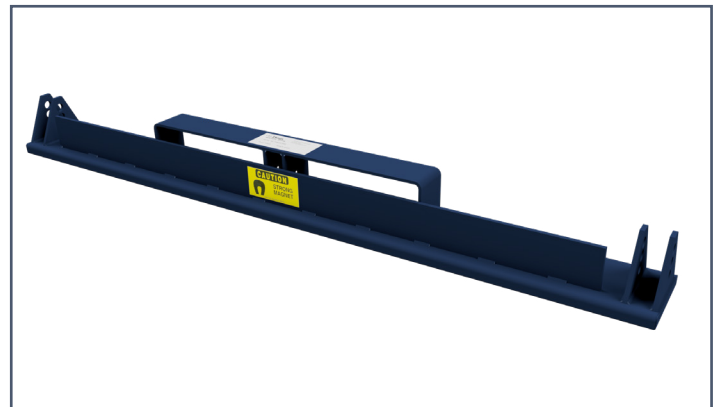
Maximum Clearance	Maximum Speed
1/2 inches	12 mph
1- 1/4 inches	8 mph
2 inches	4 mph

Remember

- ◇ Lower settings allow higher speeds
- ◇ Smaller steel objects may require lower settings
- ◇ Maximum towing speed is 20 mph

Dings' Tireguard Magnetic Sweeper Features

- ◇ Removes nails, screws and other potentially damaging metal debris from parking lots, gravel roads, runways, shop floors, streets, pathways, etc.
- ◇ Power-packed, permanent non-electric magnet.
- ◇ Our Tireguard Magnetic Road Sweepers cost \$0 (zero dollars) to operate.
- ◇ Bottom is flat and smooth stainless steel for easy wipe-off of attracted debris.



Tireguard Forklift & Bracket Mounted Model

Dings uses Superior Grade Ceramic VIII in Their Magnetic Sweepers

Ceramic VIII is best grade of ceramics for magnets, ensuring a stronger, longer lasting magnetic field. Ceramic VIII has a better resistance to demagnetization than Ceramic V or other lower grade materials.

For quote contact the Dings' factory.
Phone: 414-672-7830
Email: magsales@dingsco.com



**On Magnetism
for all Permanent
Magnets**

More Dings Company Magnetic Separation Equipment

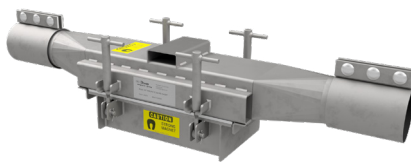
Ferroplate Magnet

Lifetime warranty on magnetism



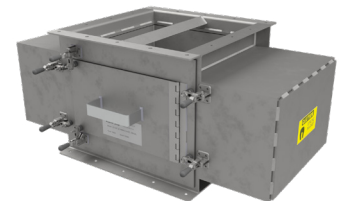
Pneumatic Inline Magnet

Powerful rare earth magnets available



Quick Clean Perma Chute Magnet

Lifetime warranty on magnetism



Rare Earth Ferroplate Magnet

More holding power



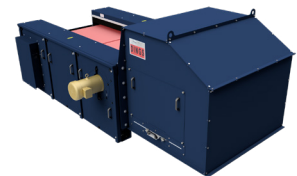
Magnetic Head Pulley

Available in 3 different strength series



Eddy Current Separator

Separate non-ferrous metal



Overhead Self-Cleaning Electromagnet

20 year warranty on coil burnout



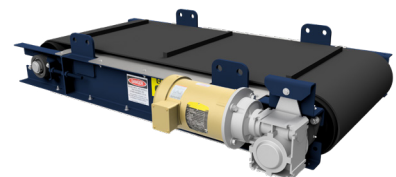
Deep Draw Drum

Lifetime warranty on magnetism

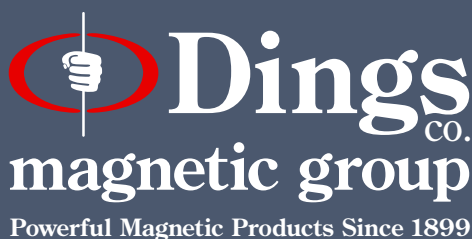


Overhead Self-Cleaning Permanent Magnet

Lifetime warranty on magnetism



Engineering Driven - Customer Service Focused



Dings Company Magnetic Group engineering and sales staff work together from our Milwaukee, WI factory to provide outstanding customer service from experts in magnetic separation. We listen to our customers to gain an understanding of their needs and apply our experience in their trade to provide magnetic separation equipment that is sized and positioned for the best possible performance in their specific application.