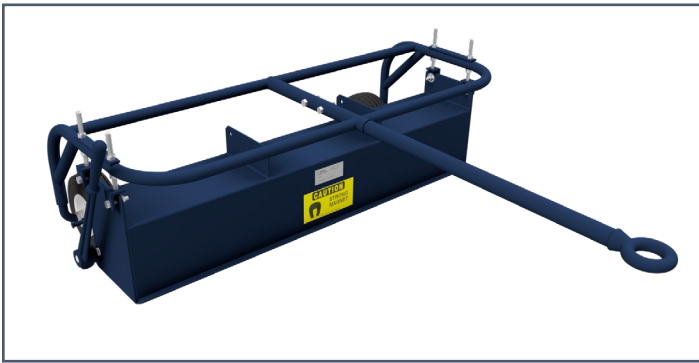


Roadguard Magnetic Sweeper:

- ◇ Ceramic Grade VIII magnetic material
- ◇ Durable carbon steel and stainless steel construction
- ◇ Effective, economical and convenient protection
- ◇ Release lever eliminates contact with metal
- ◇ Easy to use with minimal maintenance
- ◇ Reduces tire repairs and replacement costs
- ◇ Holds more metal than the Tireguard



Dings Roadguard Magnetic Sweeper

Offers power plus the convenience of a time-saving release. The lever releases metal debris, eliminating wiping or hand contact with metal and can be locked in release (non-pickup position) for safety. This model can exert nearly a ton of force on a wide block of steel.

Dings' Magnetic Sweepers protect tires from damage caused by steel objects like nails, screws, wire, rods and other damaging scrap metal. A Magnetic Sweeper operates by simply moving it over areas that need cleaning. It automatically picks up loose pieces of steel. Dings Magnetic Sweepers cost nothing to operate, because they are built with permanent magnets that don't consume energy. The magnetism is guaranteed for life! They are easy-to-use, highly effective and built to operate year after year with an exceptional degree of reliability.

Roadguard Sizes & Operating Height:

Available in 4 ft, 5 ft, 6 ft, 7 ft and 8 ft lengths.

Clearance Above the Roadway Can be Adjusted:

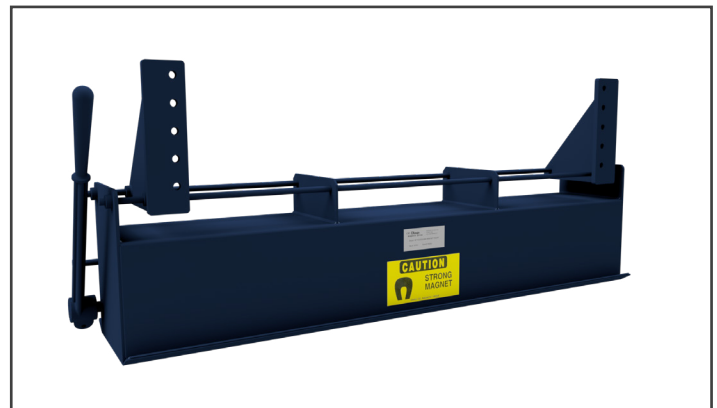
Maximum Clearance	Maximum Speed
2 inches	10 mph
3 inches	7 mph
4 inches	5 mph

Remember

- ◇ Lower settings allow higher speeds
- ◇ Smaller steel objects may require lower settings
- ◇ Maximum towing speed is 20 mph

Dings' Roadguard Magnetic Sweeper Features

- ◇ Effective on rough terrain; such as: unpaved ground containing rocks, bumps, pot holes and other obstructions under bad weather conditions.
- ◇ Produce more magnetism over a larger area through greater distances.
- ◇ Various options for mounting: Forklift, Trailer, Bracket, etc. with choices of eyebolt, Fulton Safety hitch or any other couplings to meet your specific needs.



Roadguard Bracket Mounted Model

Dings uses Superior Grade Ceramic VIII in Their Magnetic Sweepers

Ceramic VIII is best grade of ceramics for magnets, ensuring a stronger, longer lasting magnetic field. Ceramic VIII has a better resistance to demagnetization than Ceramic V or other lower grade materials.

For quote contact the Dings' factory.
Phone: 414-672-7830
Email: magsales@dingsco.com



**On Magnetism
for all Permanent
Magnets**

More Dings Company Magnetic Separation Equipment

Ferroplate Magnet

Lifetime warranty on magnetism



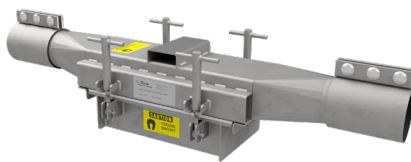
Rare Earth Ferroplate Magnet

More holding power



Pneumatic Inline Magnet

Powerful rare earth magnets available



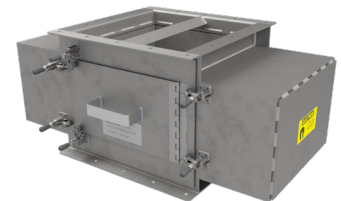
Magnetic Head Pulley

Available in 3 different strength series



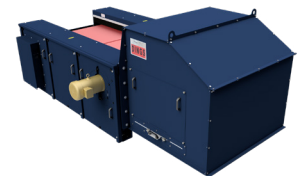
Quick Clean Perma Chute Magnet

Lifetime warranty on magnetism



Eddy Current Separator

Separate non-ferrous metal



Overhead Self-Cleaning Electromagnet

20 year warranty on coil burnout



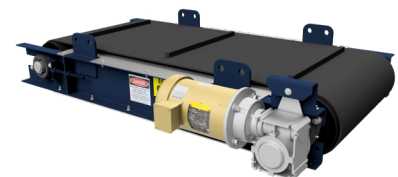
Deep Draw Drum

Lifetime warranty on magnetism



Overhead Self-Cleaning Permanent Magnet

Lifetime warranty on magnetism



Engineering Driven - Customer Service Focused



Powerful Magnetic Products Since 1899

Dings Company Magnetic Group engineering and sales staff work together from our Milwaukee, WI factory to provide outstanding customer service from experts in magnetic separation. We listen to our customers to gain an understanding of their needs and apply our experience in their trade to provide magnetic separation equipment that is sized and positioned for the best possible performance in their specific application.