

Grate Magnet Quote Request

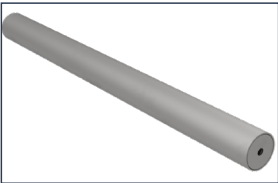
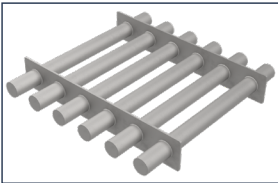



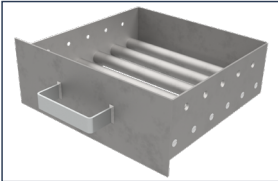


Company: _____ Quote Required Date: _____
 Address: _____ Contact Person: _____
 City, State, ZIP: _____ Contact Email: _____
 Phone/Cell: _____ Date Equipment Required by: _____

Material Information

Application: _____
 Description of Material Tramp Iron is Being Extracted From: _____
 Material type: Liquid Wet Damp Dry Batch Feed: Yes No
 Free Flowing: Yes No Is Flow Consistent: Yes No Mass Flow Rate: _____ lbs/hr
 Bulk Density: _____ lbs/ft³ Volumetric Flow Rate: _____ ft³/hr Material Moisture Content: _____ %
 Burden Material Abrasive: Yes No Type of Tramp Iron to be Removed by the _____
 Tramp Iron Size: _____ inches min. _____ inches max. Magnet: _____

Grate Magnet Selection

Tube Length: _____ inches Frame Dimensions Required: _____ inches X _____ inches

Stainless Steel Type:	304	316L	Magnet Type:	Ceramic	Rare Earth
					
Tube:	Grid:		Plain Frame:		Heavy-Duty Frame:
				<small>*Shown with transitions</small>	
Wing Type:	Drawer Type:		Standard Housed:		Easy Clean:
Heavy-Duty Pit Magnet:	Auto Clean Grate:		Rotary Grate:		Hopper Magnet:

Grate Magnet Options:

Banks: Single Double Triple Other
 Deflectors: Yes No
 Magnet Finish: Bead Blasted Satin (STD) Sanitary Email Completed RFQ to: magsales@dingsco.com
 Additional Comments: _____