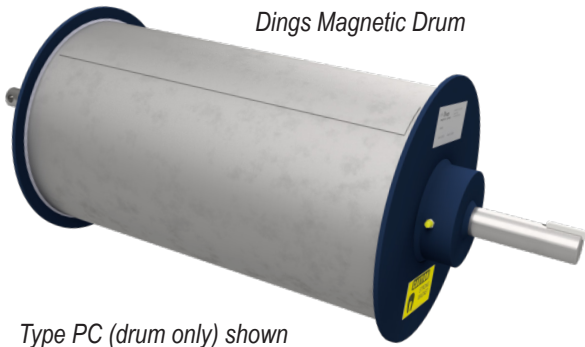


MAGNETIC DRUM



Dings Magnetic Drum

Type PC (drum only) shown

- ☆ **Lifetime Guarantee** on magnetism
- ☆ Ensures product purity & provides for metal recovery
- ☆ Easily integrated into existing production lines
- ☆ Permanent, self-cleaning magnetic separator
- ☆ Prevents equipment wear and tear
- ☆ Continuous, low cost separation

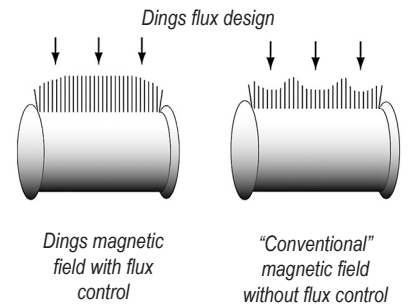
- Dings Magnetic Drums are designed to continuously remove large quantities of ferrous metal for product purification or to concentrate and reclaim metals in material.
- High strength ceramic or rare earth permanent magnets.
- Type FC has double or triple configurations available for applications requiring maximum removal of ferrous.
- Standard widths are 8" through 48"

LIFETIME WARRANTY ON MAGNETISM

Dings Magnetic Drums are designed with Dings Flux Control (DFC) Circuit, which eliminates leakage that other "conventional" magnet circuits have by strategically placing blocking magnets between the magnetic poles.

- DFC circuit improves the overall strength of permanent magnets in three ways:

1. The magnetic field is stronger
2. The magnetic field extends deeper
3. The magnetic field pattern is more uniform



Type PC Drum

- Furnished without a drive motor and housing
- Mounts easily with pillow block bearing and shaft clamp
- Choice of standard or agitating poles
- Can be fed manually or integrated into existing production systems

*Dings Magnetic Drum
Type FC - double configuration shown*



Type FC Drum

- Furnished with a drive motor, feed leveler, splitter and housing
- Multiple drum arrangements available
- Easy lubrication with removal of sealed cover plates on both sides of housing



*Dings Magnetic Drum
Type FC (drum and housing) shown*

- **Call Us For Expert Support of Dings Co. Magnetic Group Equipment - Regardless of Its Age**