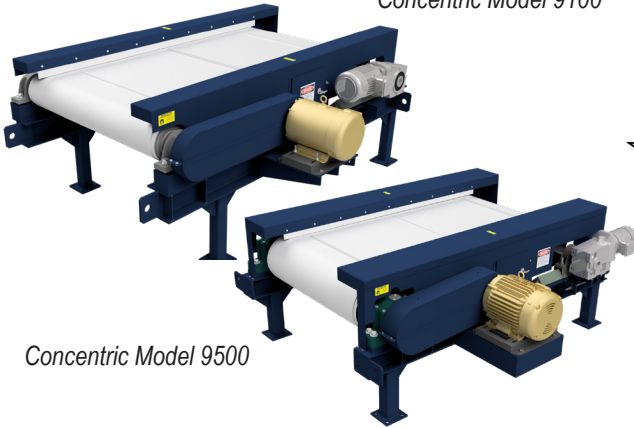


EDDY CURRENT SEPARATOR - CONCENTRIC MODEL

Dings Eddy Current Separator

Concentric Model 9100



Concentric Model 9500

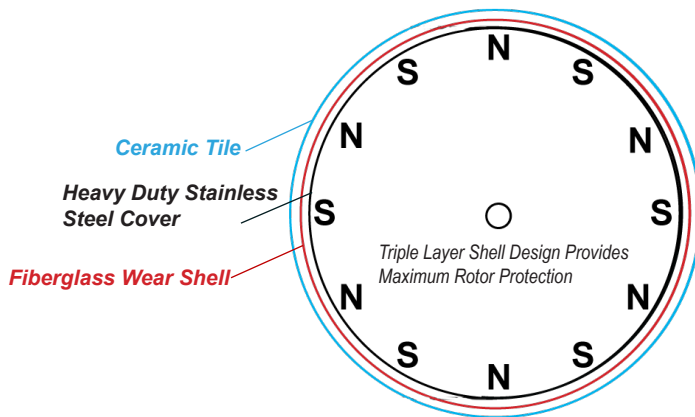
Ideal For Separating Aluminum Cans From Paper & Plastic Product Stream

- ☆ Generate income by recovering non-ferrous metals
- ☆ Rare earth magnets provide high strength & long life
- ☆ Deep magnetic field increases non-ferrous recovery
- ☆ **SAVE** on costs of manual sorting

- High frequency magnetic pole reversal & maximum magnetic strength provide superior product separation.
- Our shell design protects components to reduce repair costs and provide longer life.
- Engineered to withstand severe outdoor environments and dusty, dirty surroundings found at many facilities.
- Removable covers allow access to bearing and belt
- Reduce labor costs with quick belt change
- Integrated adjustable splitter with clear inspection doors provide access to the splitter
- Heavy duty structural steel I-beam frame and support structure

Triple Shell Design Protects Key Components

Dings Eddy Current Concentric Concentrated Magnetic Field



Dings Triple shell layers of ceramic tile, fiberglass shell and heavy duty stainless steel protects the “heart” of the eddy current separator, the magnetic rotor assembly. This provides maximum rotor protection that gives the equipment longer life, lower maintenance and repair costs and simplifies maintenance of the equipment.

More Features of The Concentric Model

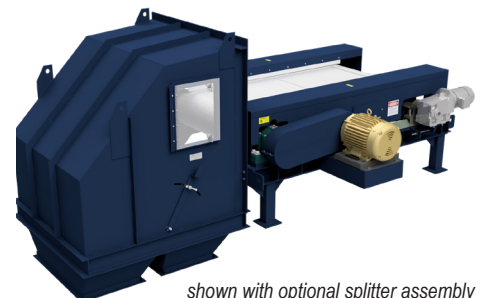
- Fits easily into your existing line.
- Larger magnet blocks produce deeper magnetic field that increases recovery.
- Rugged construction provides economical, low maintenance separation.
- Heavy duty drive packages, oversized shafts and bearings provide maximum reliability and longer service
- Low-profile 2 pulley design
- We can customize the Eddy Current Separator to meet your specific needs.

Dings Eddy Current Separator Concentric Model 9500

Dings Eddy Current Separator Concentric Model 9100



shown with optional splitter assembly



shown with optional splitter assembly

● **Call Us For Expert Support of Dings Co. Magnetic Group Equipment - Regardless of Its Age**