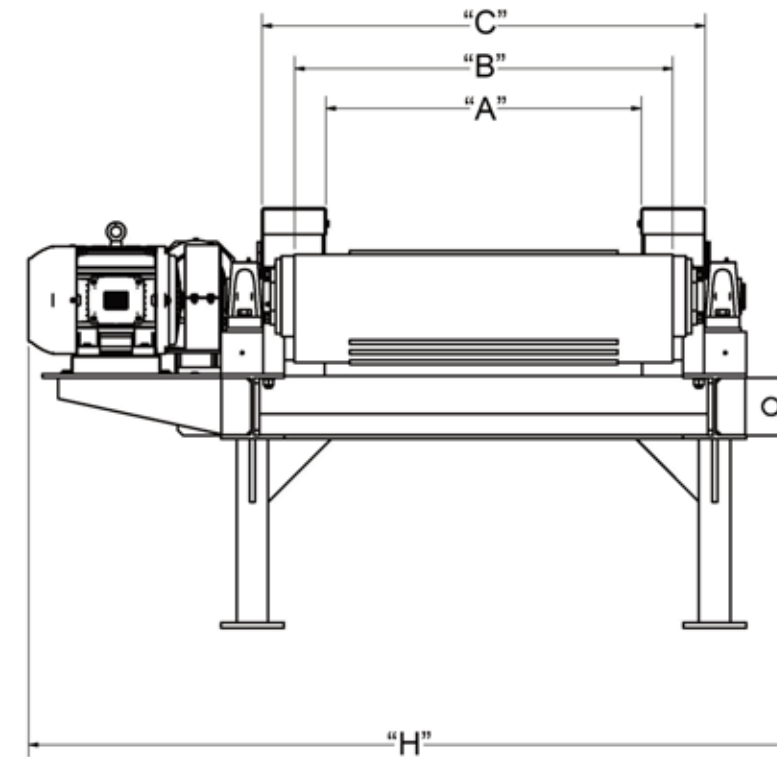



7" EDDY CURRENT SEPARATOR								
WIDTH	"A"	"B"	"C"	"D"	"E"	"F"	"G"	"H"
24"	24"	28"	36"	70"	16"	72.5"	92"	67"
30"	30"	34"	42"	70"	16"	72.5"	92"	73"
36"	36"	40"	48"	70"	16"	72.5"	92"	79"
48"	48"	52"	60"	70"	16"	72.5"	82"	91"

13" EDDY CURRENT SEPARATOR								
WIDTH	"A"	"B"	"C"	"D"	"E"	"F"	"G"	"H"
24"	24"	30"	53"	70"	16"	85"	97.5"	85"
30"	30"	36"	59"	70"	16"	85"	97.5"	91"
36"	36"	42"	65"	70"	16"	85"	97.5"	97"
42"	42"	48"	71"	70"	16"	85"	97.5"	104"
48"	48"	54"	77"	70"	16"	85"	97.5"	111"
60"	60"	66"	83"	70"	16"	85"	102"	129"
66"	66"	72"	89"	70"	16"	85"	102"	135"
72"	72"	78"	95"	70"	16"	85"	102"	141"



THIS MATERIAL IS PROPERTY OF DINGS COMPANY. NO RIGHTS ARE GRANTED TO USE SUCH MATERIAL FOR ANY PURPOSE OTHER THAN (1) PRODUCT EVALUATION OR MAINTENANCE OR (2) THE FURNISHING OF SERVICES AND SUPPLIES TO THE DINGS COMPANY.

EDDY CURRENT SEPARATOR OUTLINE DIMENSIONS			
TOLERANCE UNLESS OTHERWISE NOTED		DRAWING NUMBER	
.000 & .002	FRACTIONS ± 1/16"		
.00 & .05	ANGLES ± 1°		
DRAWN BY ADH	SCALE	SHEET SIZE D	SHEET 1 of 1
DATE 8/3/2013	REFER TO	REV #	