

DEMAGNETIZING COILS



Where pulps containing magnetic solids are classified or deslimed after discharge from magnetic separators, the individual particles occasionally form magnetic flocs which prevent proper hindered-settling action, thereby defeating the purpose of the step. Properly demagnetized, the individual particles freely meet the conditions and assure success of the operation.

Dings demagnetizing coils are designed for exceptionally high capacity with low rated heat rise. Step winding is carefully carried out to meet these rigid design requirements.

Use of fiber glass tape and polyester resin filler results in a sturdy protective surface which withstands severe impact and high moisture conditions. The unit is installed to provide free fall of the magnetic pulp through a flexible rubber hose through the coil core. The coil should be as close to the point of discharge of the magnetized pulp as practicable to reduce the speed of the pulp through the coil. Whenever you have a need for a demagnetizing coil specify Dings Waterproof Demag Coils.

This Dings “Demag Coil” is used to demagnetize valve stem caps before passing them through inspection

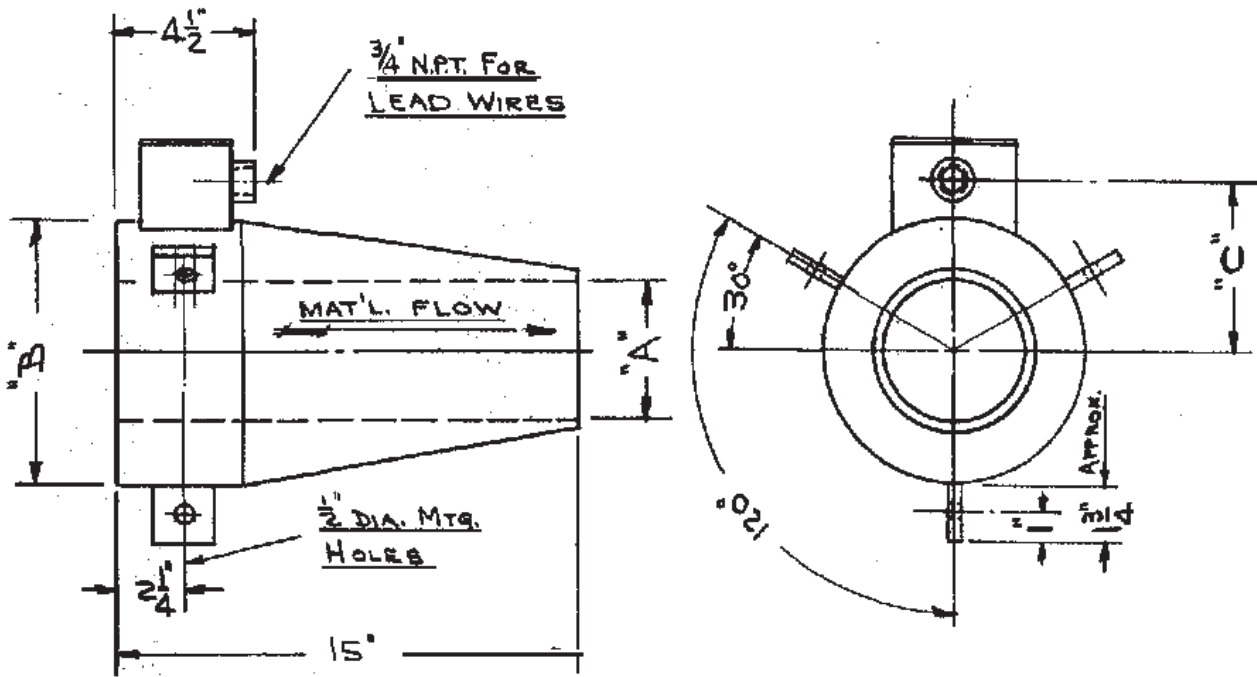


Bulletin B1903-B

PRECISION GROUND, HONED or MACHINED STEEL IS OFTEN MAGNETIZED. This is especially true whenever a magnetic chuck or table is used to hold the steel parts. MAGNETISM IN PRECISION PARTS WILL CAUSE CHIPS AND MAGNETIC DIRT to adhere. Such chips or dirt can cause scoring of moving parts and failure of an expensive piece of equipment. A Dings demagnetizing coil will remove all magnetism from your precision parts and prevent this potential trouble.

INSTALLATION IS EASY.

Place at a 45° angle and let parts fall thru the demagnetizer. For continuous application, install horizontally with a rubber conveyor belt moving through the coil.



AMPERES

DIAMETER	60 CYCLE 220 VOLT	60 CYCLE 440 VOLT	50 CYCLE 380 VOLT	WEIGHT	"A"	"B"	"C"
1 1/2"	8.	4.	4.	90#	1 3/4"	6 3/4"	4 1/2"
3"	8.	4.	4.	93	3 1/2"	6 7/8"	4 9/16"
4"	9.	4.5	4.5	100	4 5/8"	8 3/4"	5 1/2"
5"	16.	8.	8.	175			
6"	35.	17.5	17.5	250	6 5/8"	13 1/4"	7 1/2"
8"	60.	30.	30.	400	8 5/8"	16 1/2"	9 1/2"
9"	72.	36.	36.	630			

 **Dings magnetic group**
co.

SINCE 1899

4740 W Electric Avenue, Milwaukee, WI 53219
Ph 414.672.7830 Fax 414.672.9421 • www.dingsmagnets.com