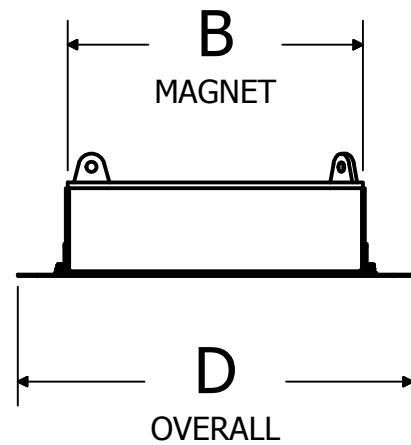
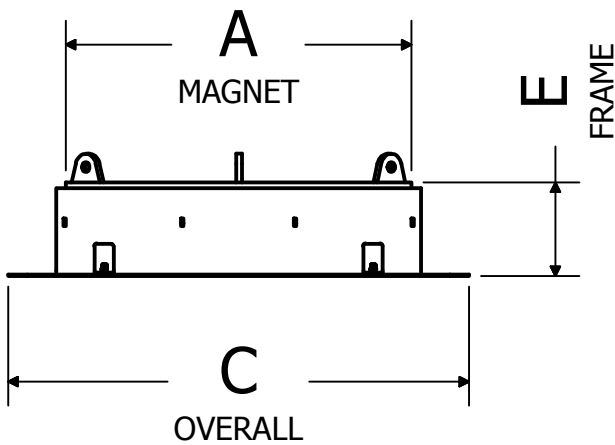
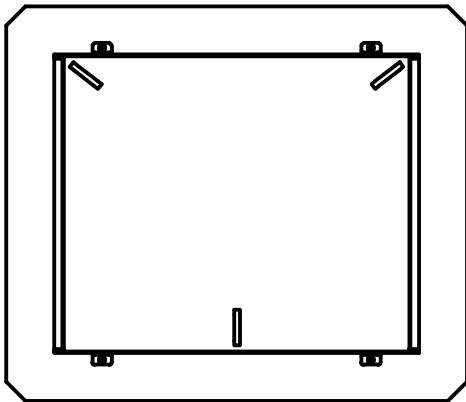
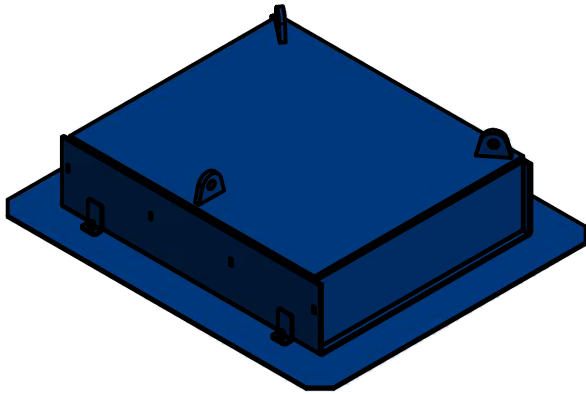


# Dings PCM Series Overhead Stationary Permanent Magnetic Separators Outline Dimensions



Model	Suspension Height	"A"	"B"	"C"	"D"	"E"	
9PCM	9PCM36	Up to 9"	36"	21"	48"	31"	8"
	9PCM42	Up to 9"	42"	21"	54"	31"	8"
	9PCM48	Up to 9"	48"	21"	60"	31"	8"
	9PCM54	Up to 9"	54"	21"	66"	31"	8"
	9PCM60	Up to 9"	60"	21"	72"	31"	8"
	9PCM66	Up to 9"	66"	21"	78"	31"	8"
	9PCM72	Up to 9"	72"	21"	84"	31"	8"
11PCM	11PCM36	Up to 11"	36"	26"	48"	36"	9"
	11PCM42	Up to 11"	42"	26"	54"	36"	9"
	11PCM48	Up to 11"	48"	26"	60"	36"	9"
	11PCM54	Up to 11"	54"	26"	66"	36"	9"
	11PCM60	Up to 11"	60"	26"	72"	36"	9"
	11PCM66	Up to 11"	66"	26"	78"	36"	9"
	11PCM72	Up to 11"	72"	26"	84"	36"	9"
12PCM	12PCM36	Up to 12"	36"	31"	48"	41"	10"
	12PCM42	Up to 12"	42"	31"	54"	41"	10"
	12PCM48	Up to 12"	48"	31"	60"	41"	10"
	12PCM54	Up to 12"	54"	31"	66"	41"	10"
	12PCM60	Up to 12"	60"	31"	72"	41"	10"
	12PCM66	Up to 12"	66"	31"	78"	41"	10"
	12PCM72	Up to 12"	72"	31"	84"	41"	10"
13PCM	13PCM42	Up to 13"	42"	35"	54"	45"	11"
	13PCM48	Up to 13"	48"	35"	60"	45"	11"
	13PCM54	Up to 13"	54"	35"	66"	45"	11"
	13PCM60	Up to 13"	60"	35"	72"	45"	11"
	13PCM66	Up to 13"	66"	35"	78"	45"	11"
	13PCM72	Up to 13"	72"	35"	84"	45"	11"
	14PCM	14PCM48	Up to 14"	48"	40"	60"	55"
14PCM54		Up to 14"	54"	40"	66"	55"	12"
14PCM60		Up to 14"	60"	40"	72"	55"	12"
14PCM66		Up to 14"	66"	40"	78"	55"	12"
14PCM72		Up to 14"	72"	40"	84"	55"	12"
15PCM	15PCM48	Up to 15"	48"	45"	60"	55"	14"
	15PCM54	Up to 15"	54"	45"	66"	55"	14"
	15PCM60	Up to 15"	60"	45"	72"	55"	14"
	15PCM66	Up to 15"	66"	45"	78"	55"	14"
15PCM72	Up to 15"	72"	45"	84"	55"	14"	